

SECTION C

RADIATOR and GRILLE 49000 SERIES

CONTENTS

Division	Subject	Paragraph
I	TRUBLE DIAGNOSIS: (Not Applicable)	-
II	DESCRIPTION AND OPERATION: (Not Applicable)	-
III	ADJUSTMENTS AND MINOR SERVICE: (Not Applicable)	-
IV	REMOVAL AND INSTALLATION: Radiator Mounting	130-3
V	OVERHAUL AND MAJOR SERVICE: (Not Applicable)	-
VI	SPECIFICATIONS: (Not Applicable)	-

DIVISION IV REMOVAL AND INSTALLATION

130-3 RADIATOR MOUNTING

The radiator mounfing is a four-point system using rubber inserts on "U" shaped brackets (for the lower mounting). The upper brackets are part of the upper radiator mounting panel. The lower brackets mount on the lower portion of the radiator mounting panel.

INDEX OF ILLUSTRATIONS

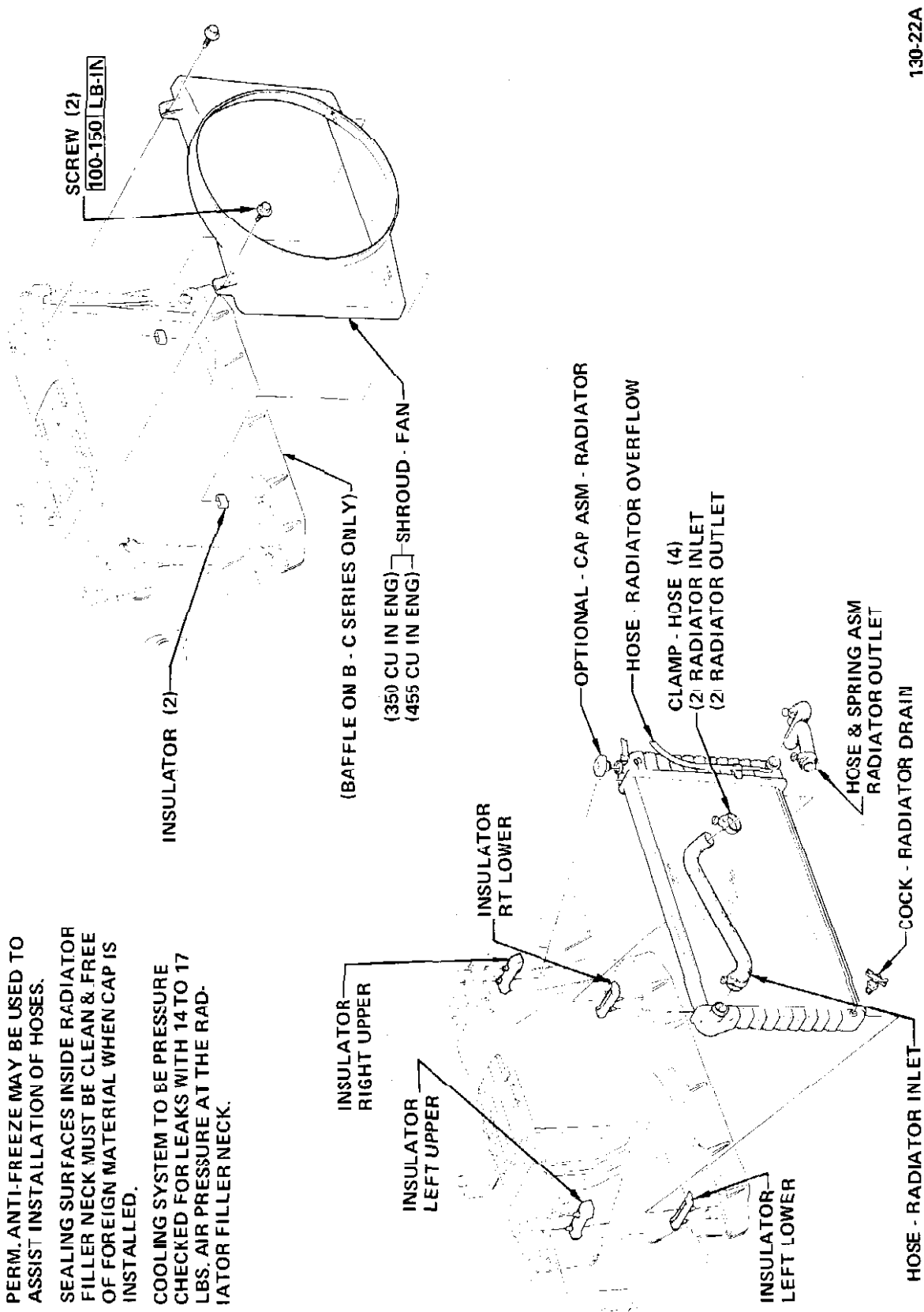
Figure Number	Description
130-9	49000 Radiator, Fan Shroud
130-10	49000 Overflow Reservoir, and Tubes
130-11	49000 Radiator Support and Upper Mounting Panel
130-12	49000 Headlamp Door, Capsule, Aiming Screw, and Brace Assembly
130-13	49000 Hood Latch, Grille, and Supports

HEAVY DUTY COOLING

PERM. ANTI-FREEZE MAY BE USED TO ASSIST INSTALLATION OF HOSES.

SEALING SURFACES INSIDE RADIATOR FILLER NECK MUST BE CLEAN & FREE OF FOREIGN MATERIAL WHEN CAP IS INSTALLED.

COOLING SYSTEM TO BE PRESSURE CHECKED FOR LEAKS WITH 14 TO 17 LBS. AIR PRESSURE AT THE RADIATOR FILLER NECK.



130-22A

Figure 130-9 - 49000 Radiator, Fan Shroud

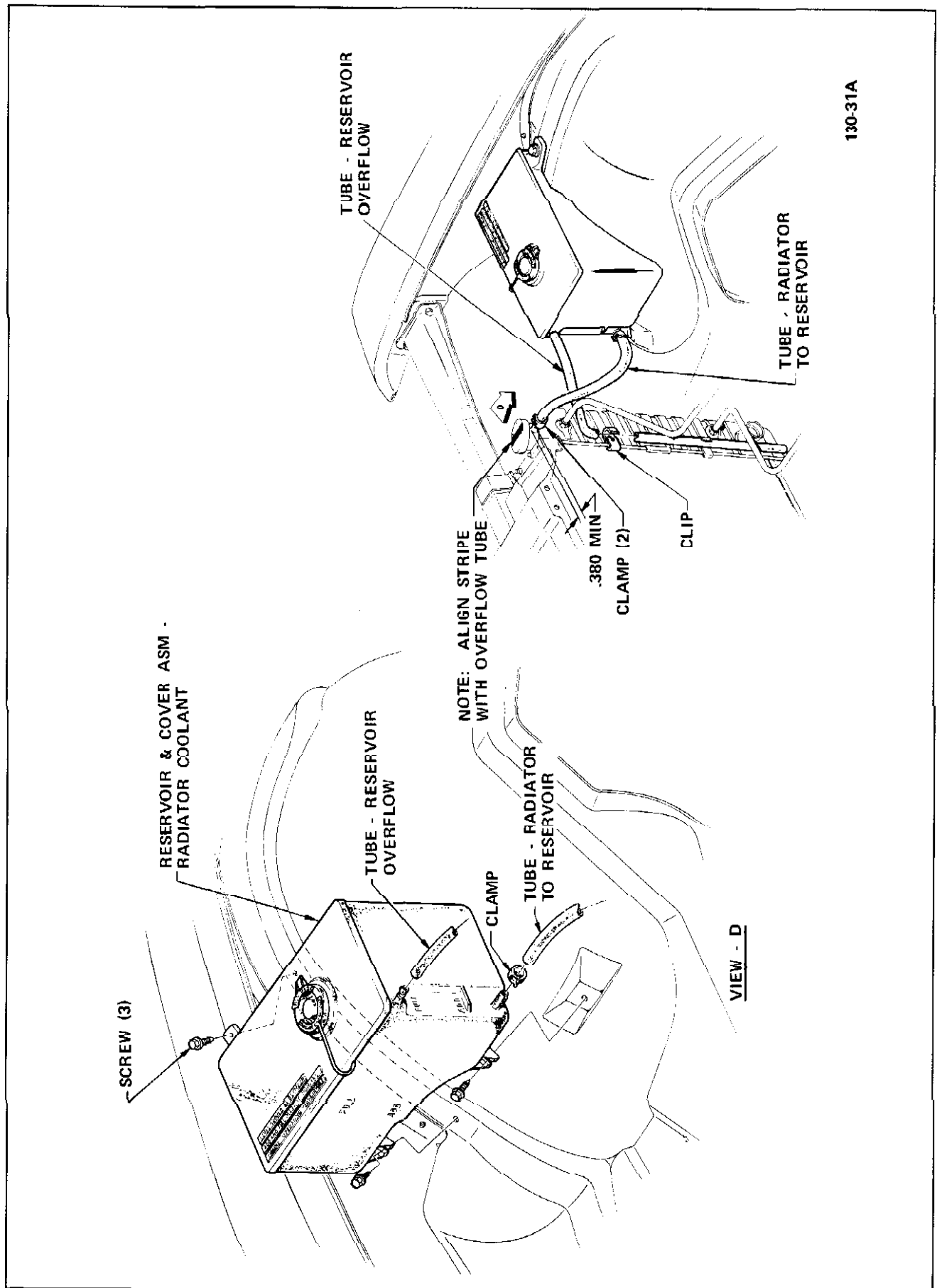
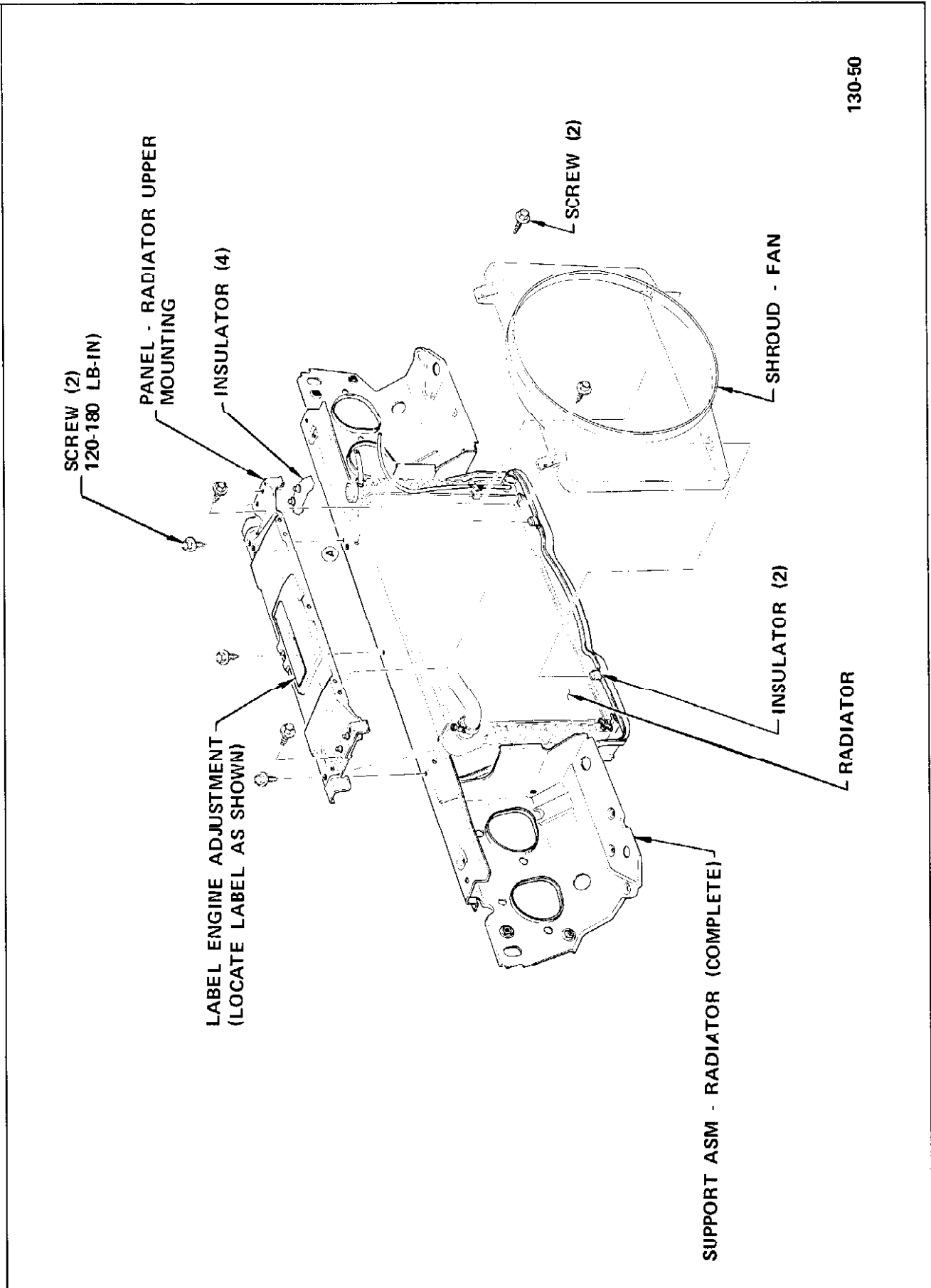


Figure 130-10 - 49000 Overflow Reservoir and Tubes



130-50

Figure 130-11 - 45000 Radiator Support and Upper Mounting Panel

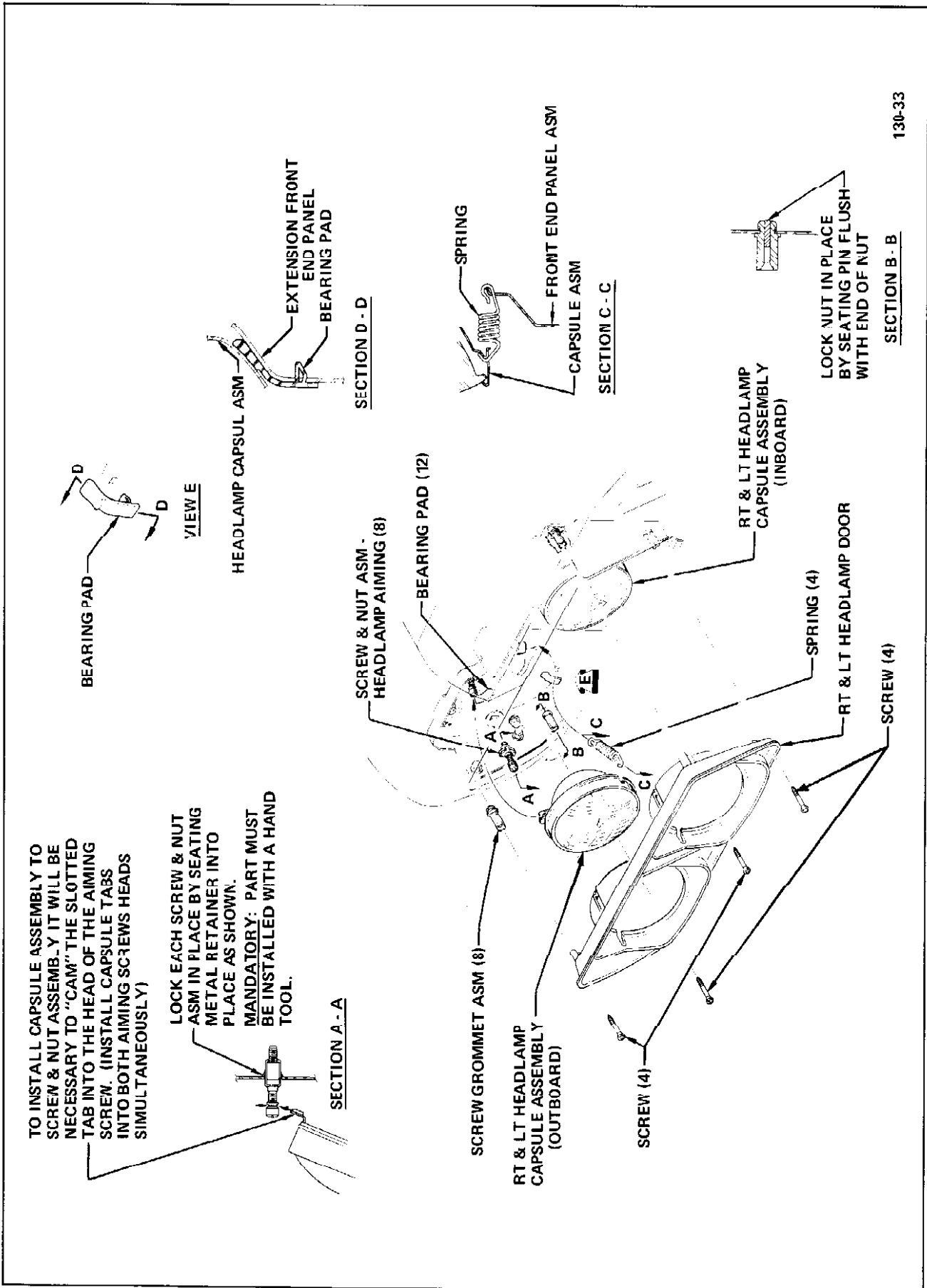
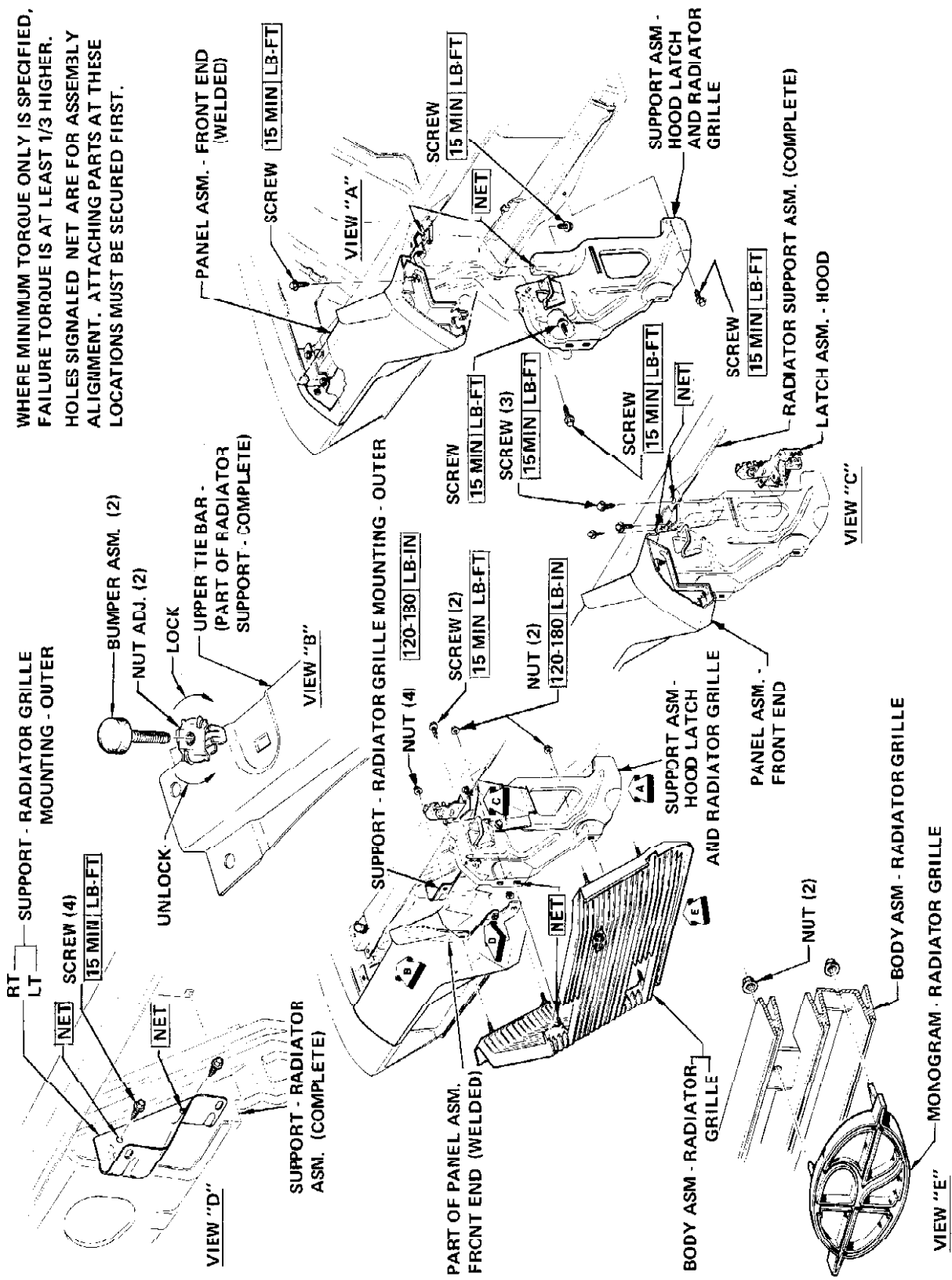


Figure 130-12 - 49000 Headlamp Door, Capsule, Aiming Screw, and Brace Assembly

WHERE MINIMUM TORQUE ONLY IS SPECIFIED, FAILURE TORQUE IS AT LEAST 1/3 HIGHER. HOLES SIGNALLED NET ARE FOR ASSEMBLY ALIGNMENT. ATTACHING PARTS AT THESE LOCATIONS MUST BE SECURED FIRST.



130-28A

Figure 130-13 - 49000 Hood Latch, Grille, and Supports