

SECTION C

BUMPERS 49000 SERIES

CONTENTS

Division	Subject	Paragraph
I	TROUBLE DIAGNOSIS: (Not Applicable)	-
II	DESCRIPTION AND OPERATION: (Not Applicable)	-
III	ADJUSTMENTS AND MINOR SERVICE: Adjustment of Front and Rear Bumper	140-3
IV	REMOVAL AND INSTALLATION: Refer to Illustrations.	-
V	OVERHAUL AND MAJOR SERVICE: (Not Applicable)	-
VI	SPECIFICATIONS: (Not Applicable)	-

DIVISION III ADJUSTMENTS AND MINOR SERVICE

140-3 ADJUSTMENT OF FRONT AND REAR BUMPER

The front bumper brackets and supports are slotted to allow alignment to adjacent parts. The rear bumper brackets and braces are also slotted to permit alignment.

INDEX OF ILLUSTRATIONS

Figure Number	Description
140-12	49000 Front Bumper, Lamp Assembly and License Filler
140-13	49000 Front Bumper Anchor Bracket
140-14	49000 Front Bumper Outer Support
140-15	49000 Rear Bumper

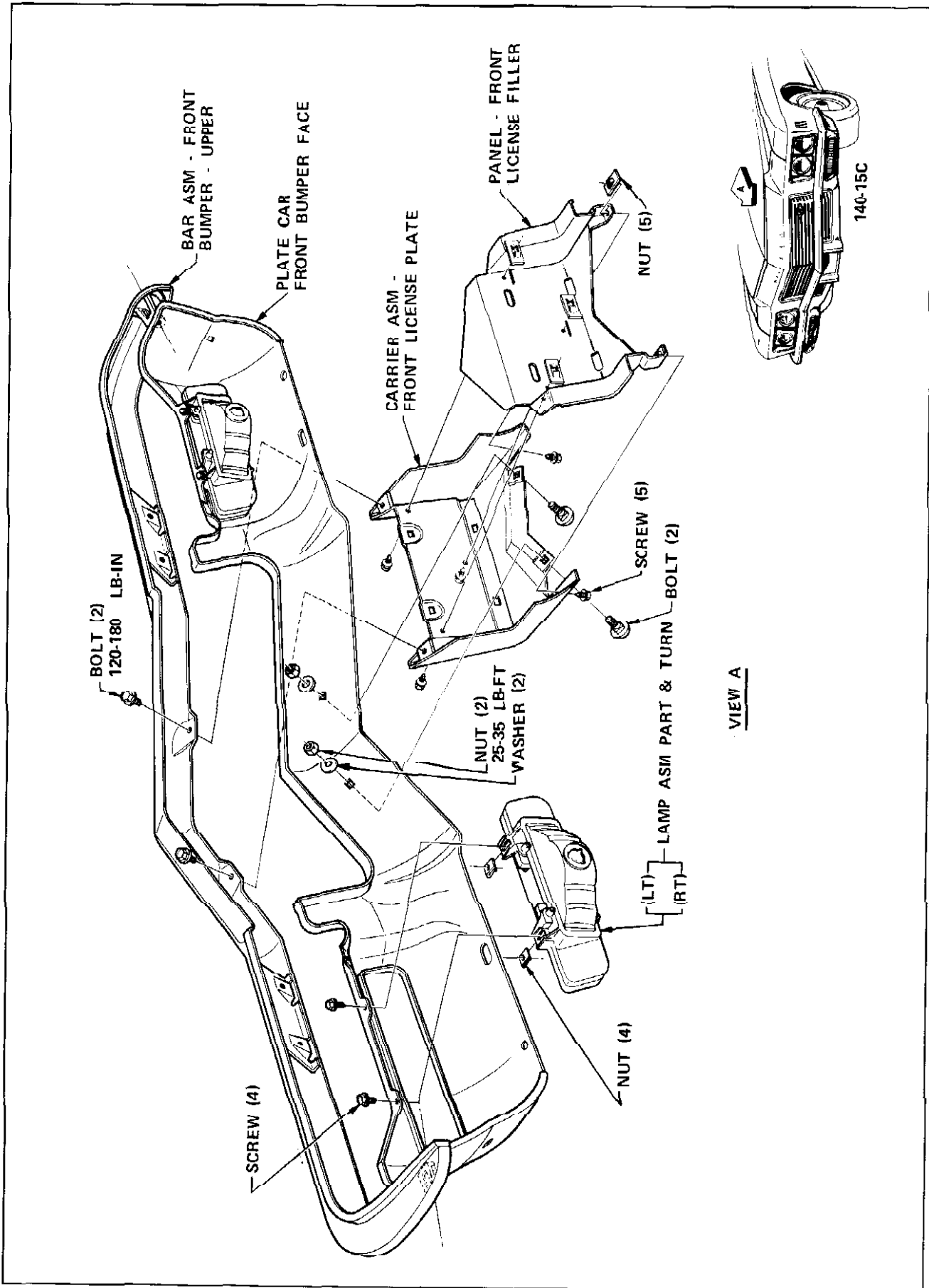
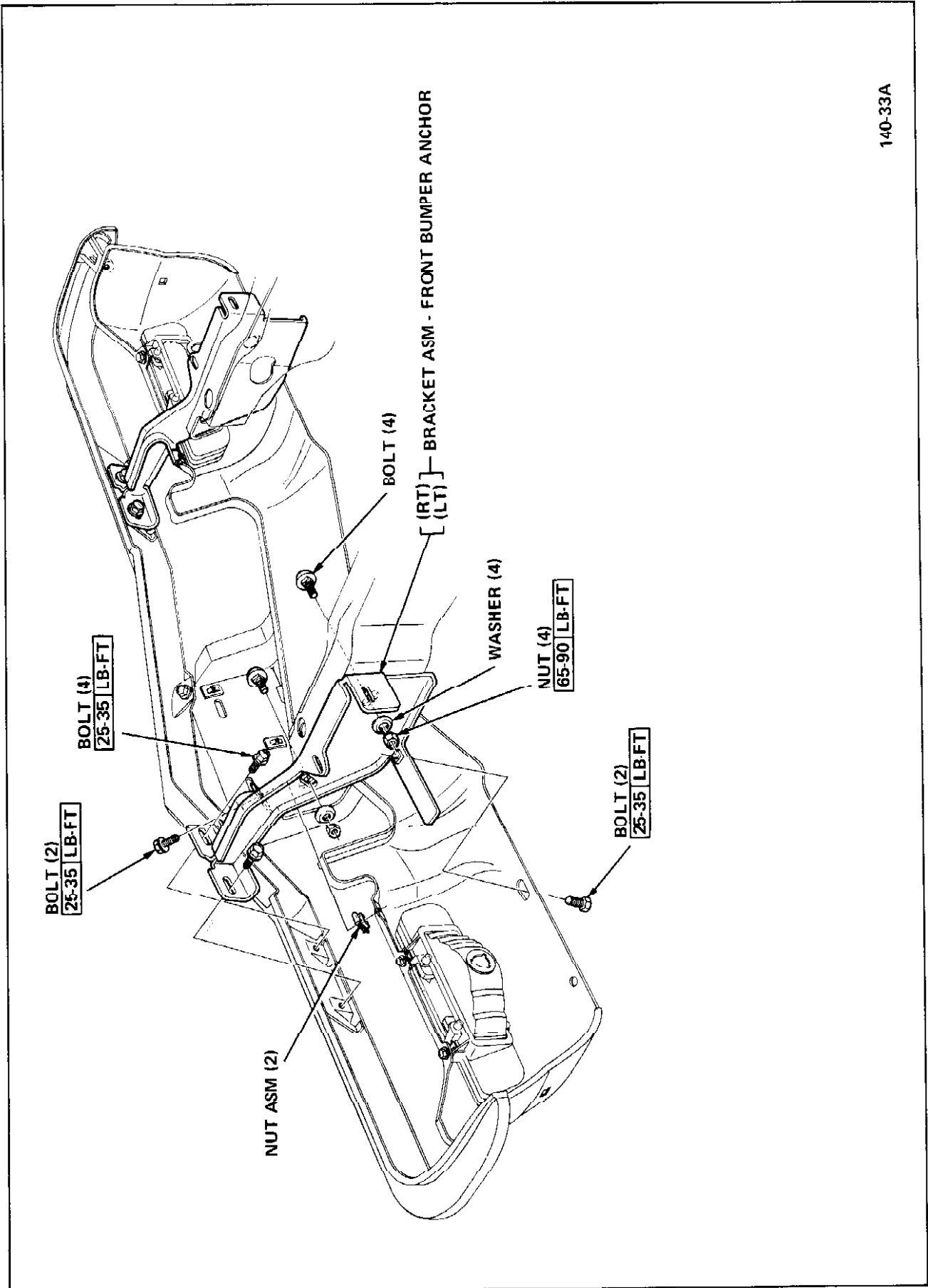
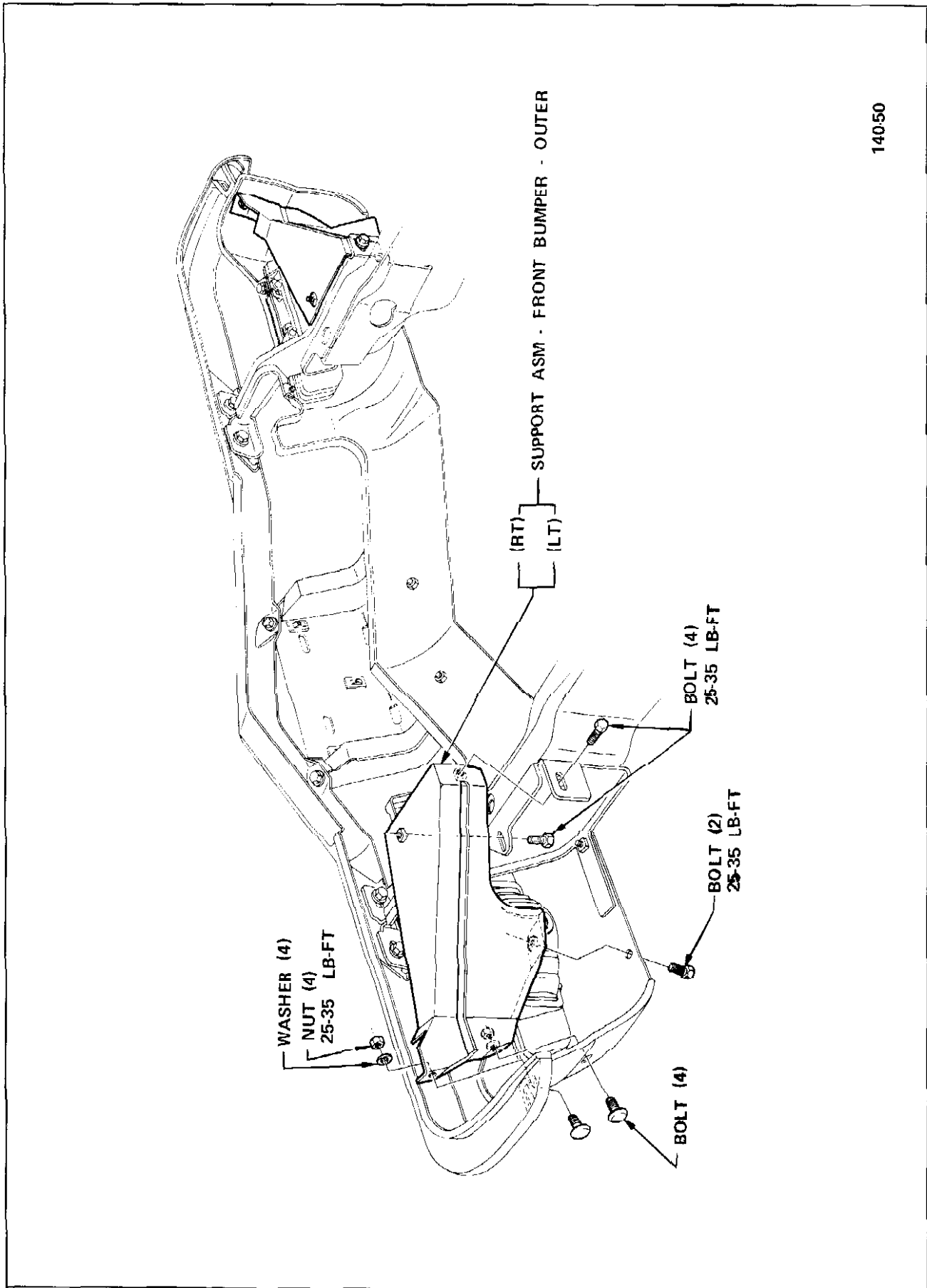


Figure 140-12 - 49000 Front Bumper, Lamp Assembly and License Filler



140-33A

Figure 140-13 - 49000 Front Bumper Anchor Bracket



140.50

Figure 140-14 - 49000 Front Bumper Outer Support

140-16D

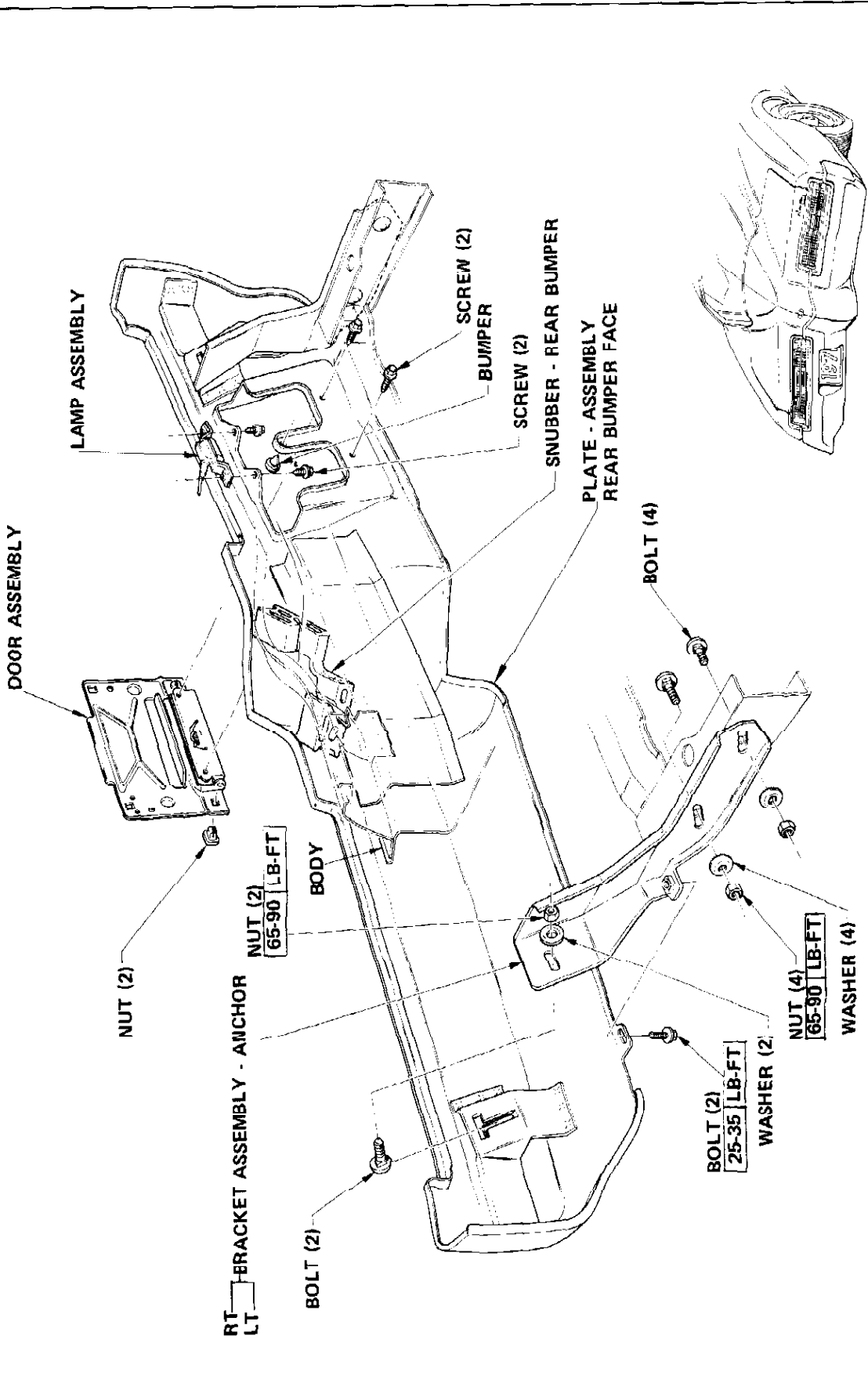


Figure 140-15 - 49000 Rear Bumper